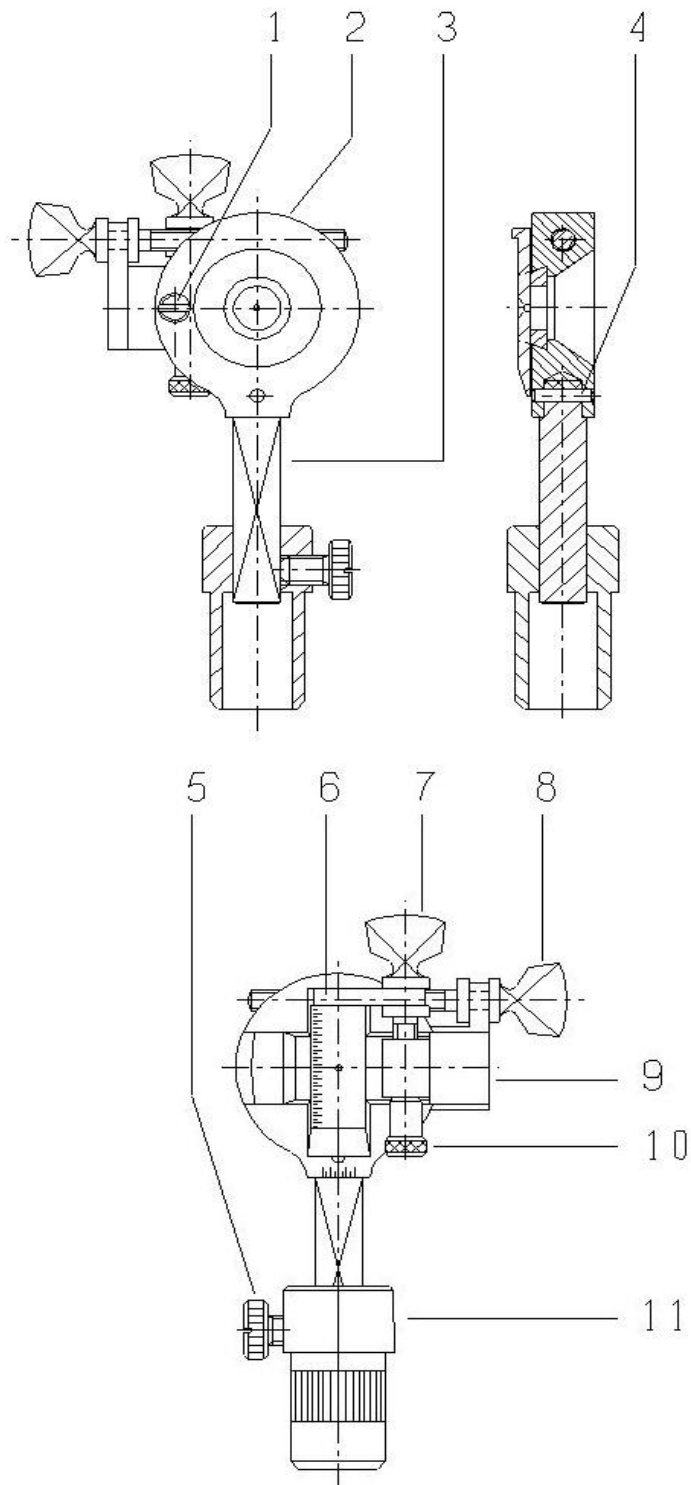


# USA 442



<b>Nomenclatura / List / Liste</b>				<b>Codice Reference Référence</b>
<b>No.</b>	<b>Italiano</b>	<b>English</b>	<b>Français</b>	
1	Grano bloccaggio carrello orizzontale	Socket screw blocking the windage slider	Grain fixation réglage horizontal	M70OST5341
2	Corpo diottra	Diopter sight body	Corps du dioptre	0800002875
3	Gambo diottra	Sight stem	Pied du dioptre	0800003096
4	Spina gambo	Stem pin	Pivot	M70COP5521
5	Vite bloccaggio diottra	Sight blocking screw	Vis blocage dioptre	M70SPC5455
6	Carrello verticale	Elevation slider	Chariot vertical	0800002873
7	Vite regolazione verticale	Elevation knob	Vis élévation	M70SPC5450
8	Vite regolazione orizzontale	Windage adjusting screw	Vis réglage horizontal dioptre	M70SPC5452
9	Carrello orizzontale	Windage slider	Chariot horizontal	0800002874
10	Dado bloccaggio vite regolazione verticale	Adjusting elev.screw blocking nut	Ecrou fixation vis réglage dioptre	M70RON5342
11	Base diottra	Diopter sight base	Embase du dioptre	0800002066